

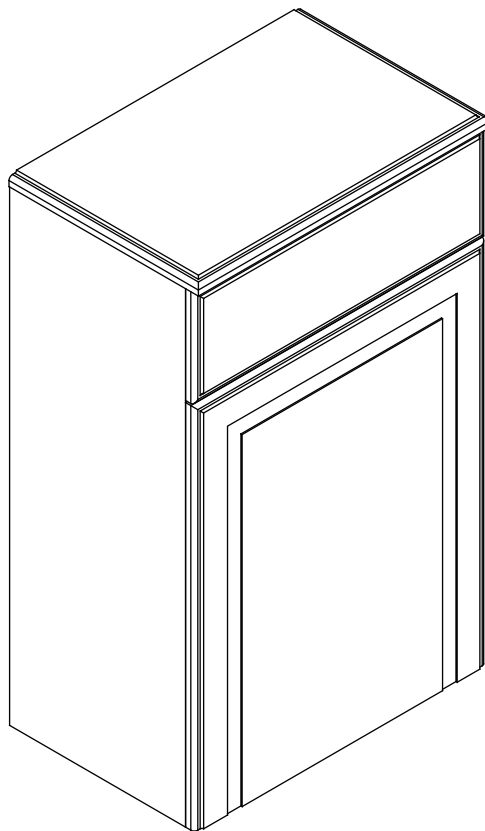


Thank you for choosing Better Bathrooms.  
Please read this manual before installing your product  
and keep for future reference.

**better**   
**bathrooms**

## Westbury 500mm WC Unit

BeBa\_27054/BeBa\_27055/BeBa\_27056



All furniture must be installed in a room with good ventilation and must be wiped dry after every use to prolong the life of the product.

- **Multi-person assembly**
- **We always recommend using professional tradespeople to install your product**

# Congratulations on your purchase

*And welcome to our growing gang of savvy shoppers*

We're on a mission to bring you extraordinary bathroom products, for less. From modern to traditional style ceramics, plus the gorgeous fixtures, fittings and furniture to match. So, you can fall in love with your space every single day.

As one of the UK's largest independent bathroom stores, we've received countless awards; including the National Business Awards UK, the Digital Entrepreneur Awards and being placed on The Sunday Times Fast Track 100.

We hope your new product goes above and beyond your expectations. However, should any problems occur, please:

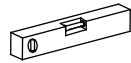
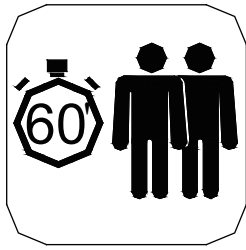
- log in to your account and contact our customer services team via your self-serve portal – [betterbathrooms.com/CustomerAccount/Login](https://betterbathrooms.com/CustomerAccount/Login)
- contact us via [betterbathrooms.com/content/contact-us](https://betterbathrooms.com/content/contact-us)

## Important information

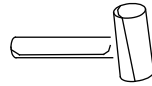
- Please read these instructions thoroughly and retain for future reference
- Please check for pipes and cables before drilling the wall

Unit Weight(Kg)	Basin Weight(Kg)	Max loading weight in addition to Unit, basin and full capacity Drawer or Shelf(Kg)	Each Drawer or Shelf Loading Capacity (Kg)
12,75	/	30,00	/

# Tools required(Tools not provided)



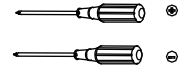
Spirit Level



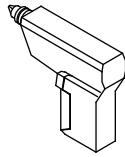
Hammer



Pencil



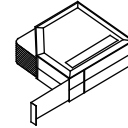
Screw Driver



Electric Drill

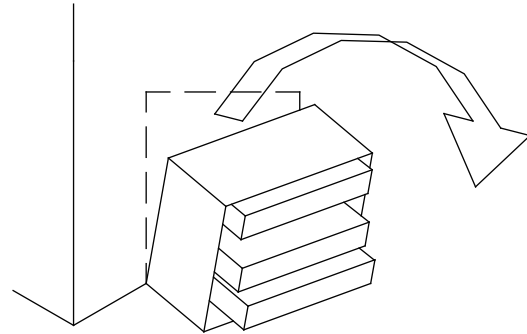
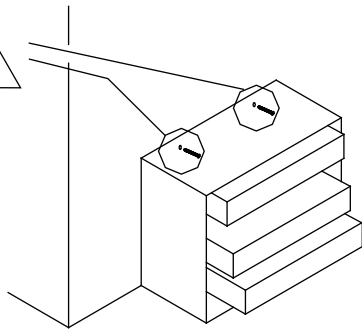
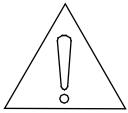


Drill Bit



Tape

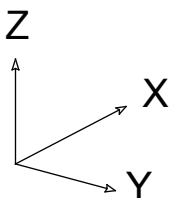
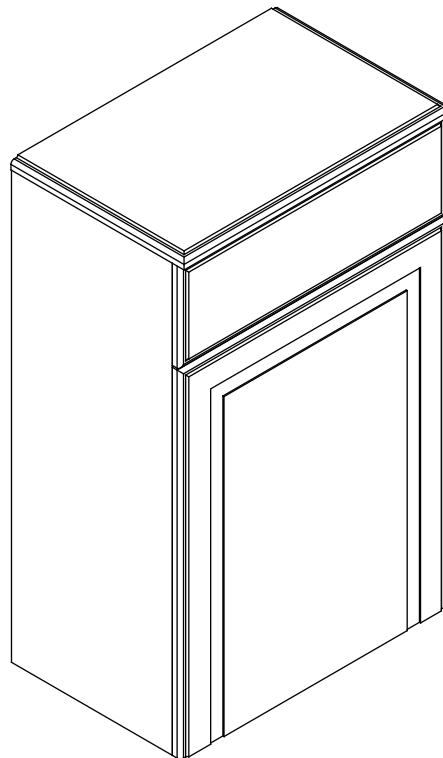
Important information Please read carefully.Keep this information for further reference.  
Serious or fatal crushing injuries can occur if furniture is not secured correctly.To prevent furniture from tipping over it must be permanently fixed to the wall.  
Fittings for the wall are not included since different wall materials require different types of fittings .  
Use fittings suitable for the walls in your home.For advice on suitable fittings,contact your local dealer.



x=502mm

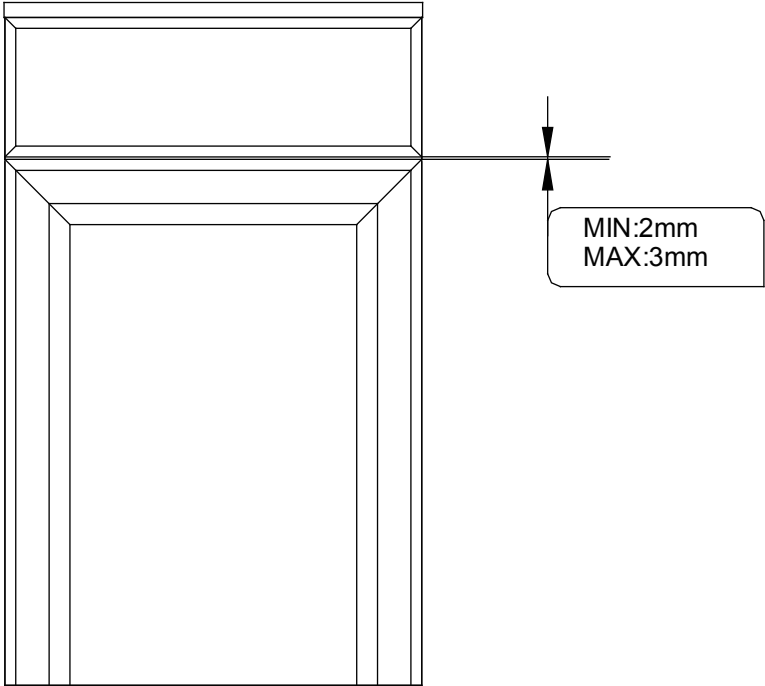
y=325mm

z=818mm

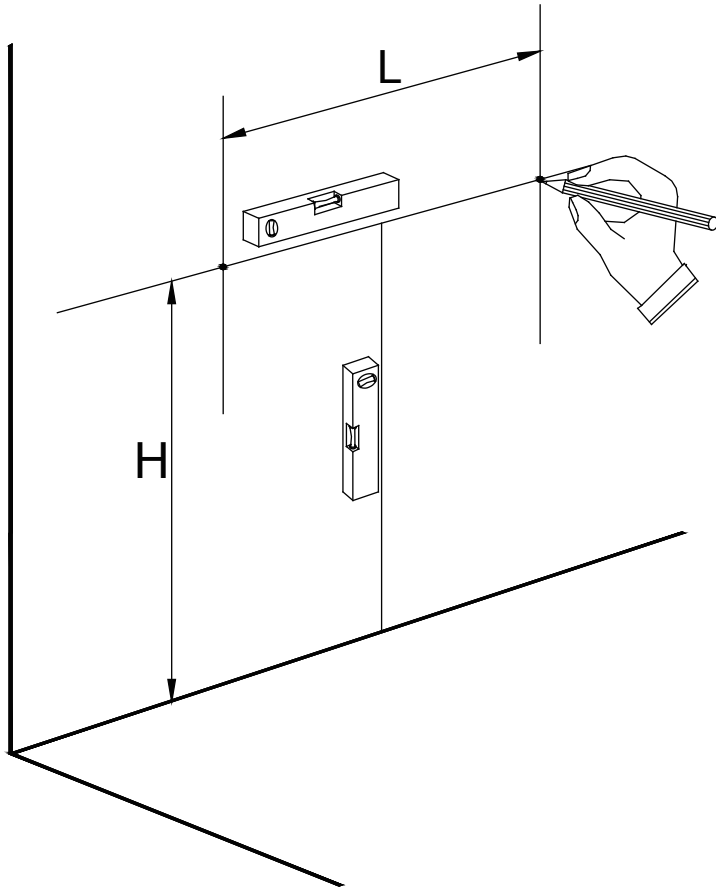
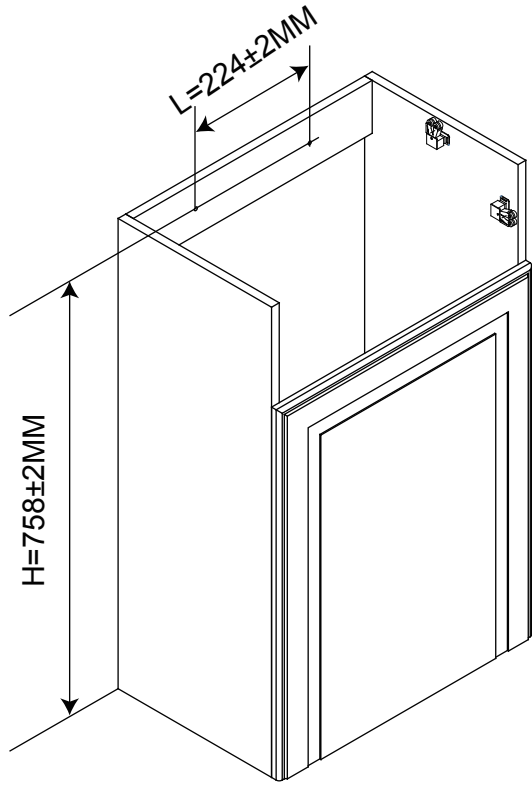
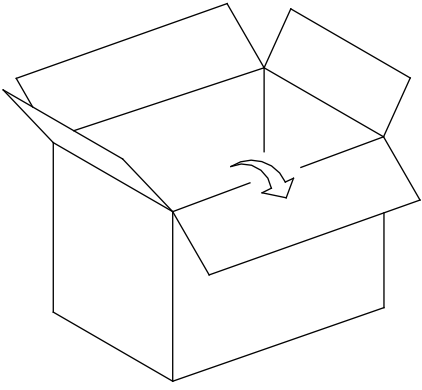


# Installation

## Gap Adjustment

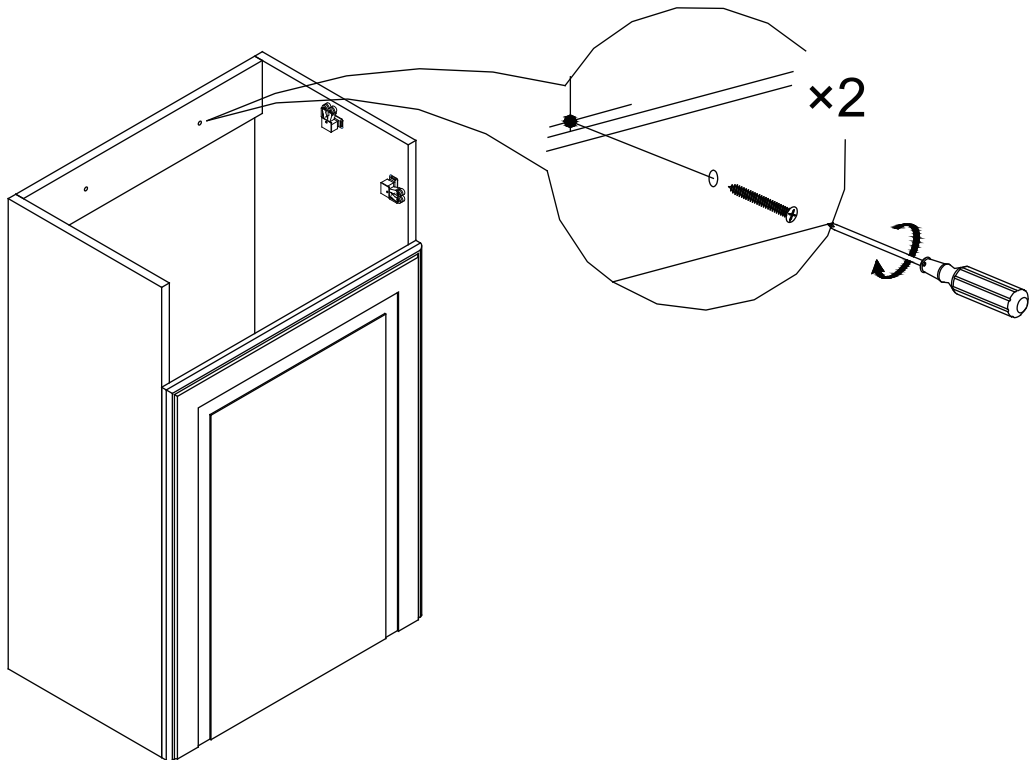
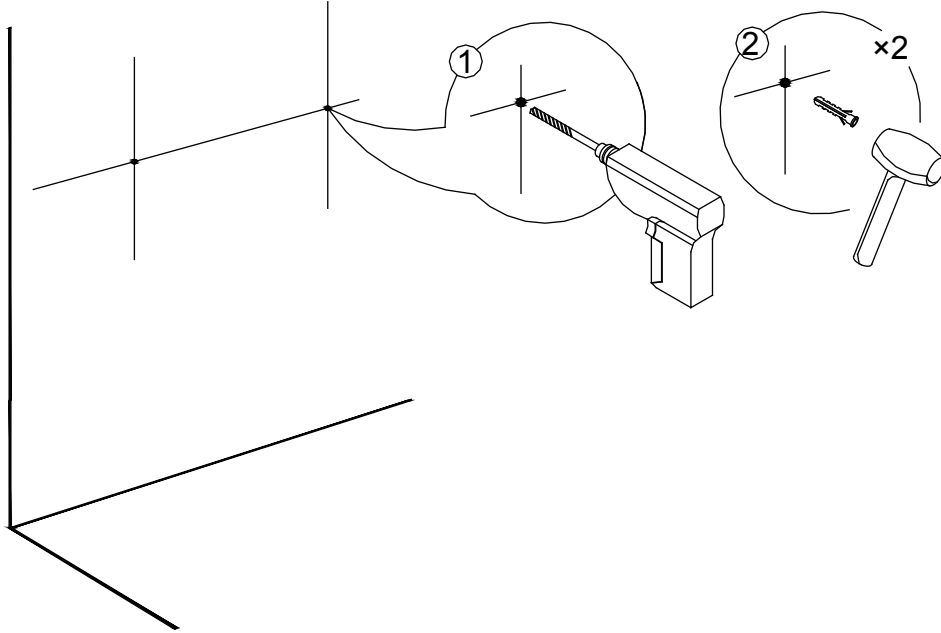


01

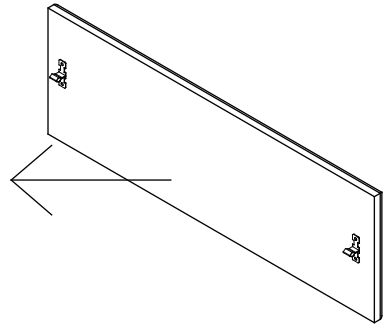
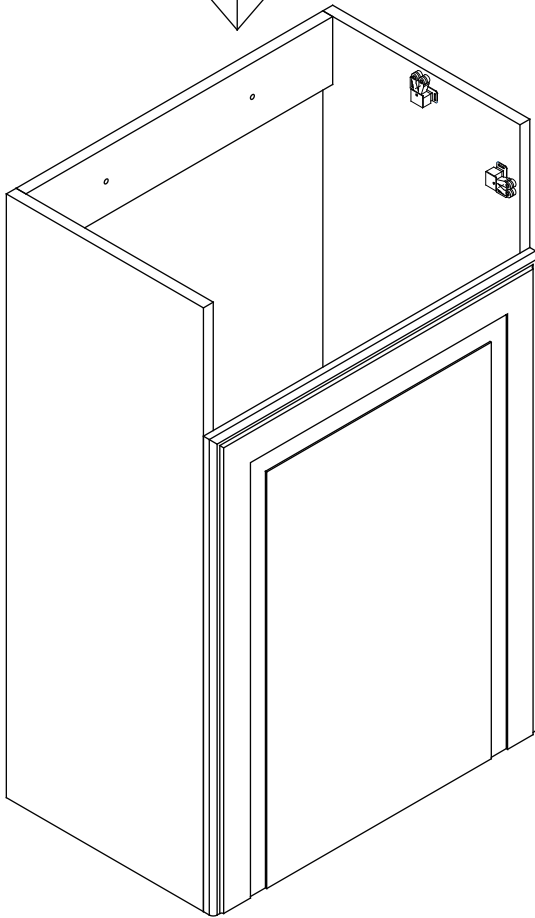
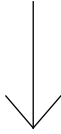


02

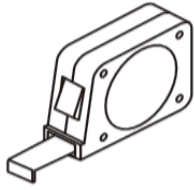
Please note - wall fixings are not supplied  
These can be purchased from a local DIY store



03



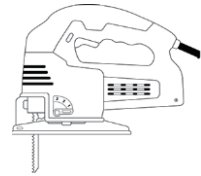
## TOOLS REQUIRED



Tape Measure

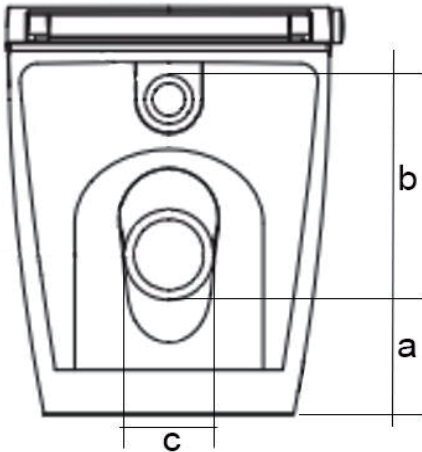


Pencil

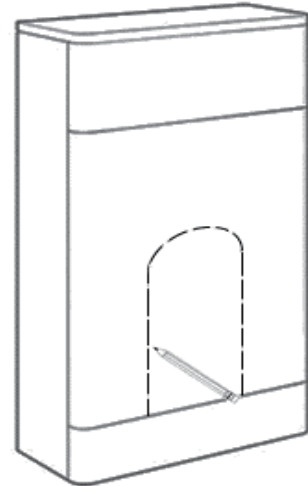


Saw

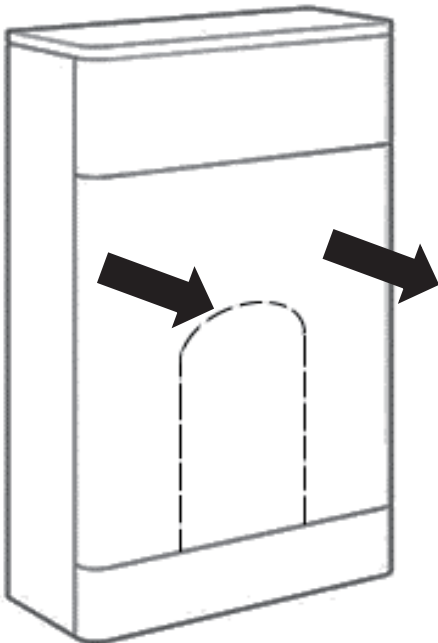
## INSTALLATION INSTRUCTIONS



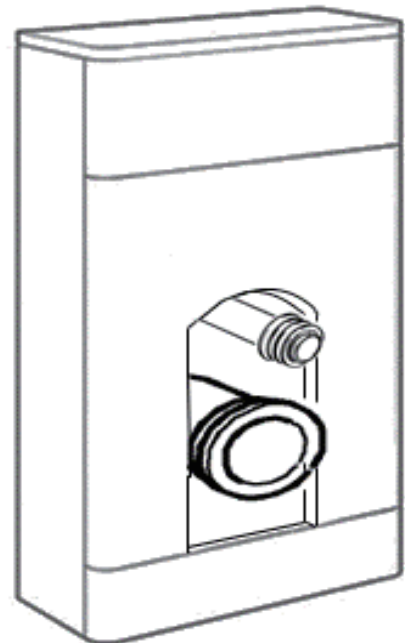
Measure the height from the floor to height a then measure height b and allow 5mm tolerance, then measure width c and allow 5mm



Mark these dimensions on to the front panel of the unit using a pencil



Remove the front panel from the unit and cut the hole to allow the waste pipe and flush pipe to pass from the cistern

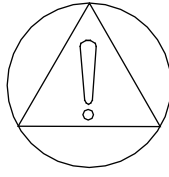


It is recommended to seal the cut edge and bottom edge of the unit, to protect against moisture ingress

Furniture should be maintained using a clean cloth with no harsh abrasive cleaning agents/materials  
All furniture should be wiped dry if they become wet

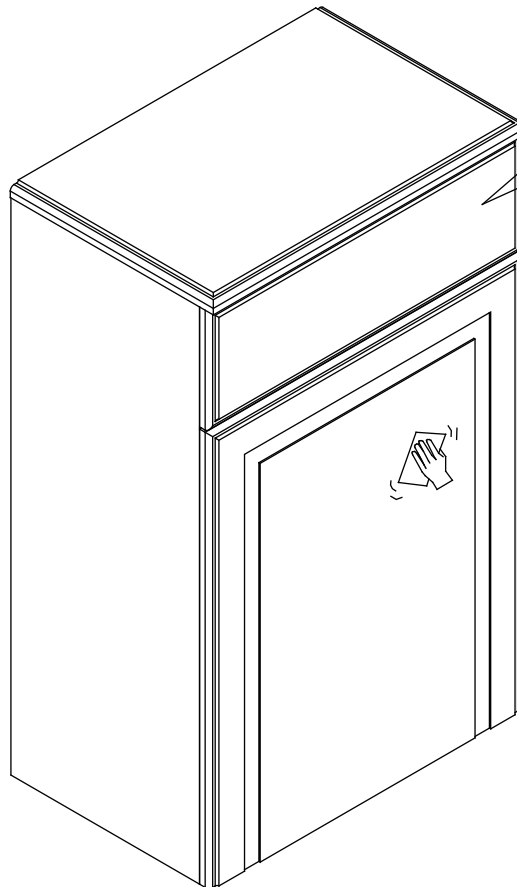


# Cleaning



- Clean with a soft cloth & warm soapy water only
- Do not use abrasive cleaning agents
- Dry unit with a cloth after use

The location of the push button can be selected by the customer, the hole should be drilled then sealed to prevent moisture penetration



## **For more information**

- visit [betterbathrooms.com](http://betterbathrooms.com)
- email [customerservices@buyitdirect.co.uk](mailto:customerservices@buyitdirect.co.uk)
- call 03303903062
- write to Trident Business Park, Neptune Way, Huddersfield, HD2 1UA

**better  
bathrooms**

Part of the BuyItDirect Group